

Installation Instructions

安裝說明書

REAR SUBFRAME ANTI-VIBRATION INSERT

後車身制震墊片

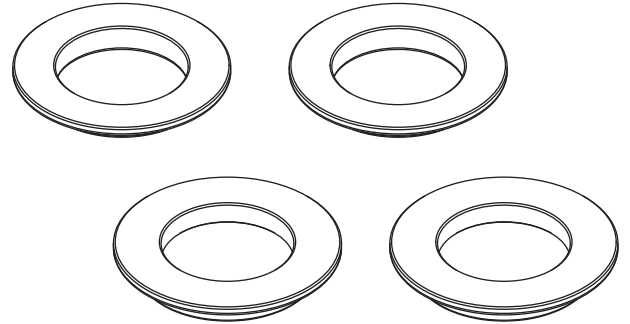
#Q0855

Application 適用車型

Tesla Model 3 '17-

Components 內含配件

- ① Front Insert 前端墊片.....2pcs
- ② Rear Insert 後端墊片.....2pcs



Caution 注意事項

- Installation is recommended to be performed by licensed mechanics with necessary tools to ensure safety. Incorrect installation may cause injury, damage to the product or vehicle. 安裝建議由合格的技師及工具執行以確保安全。安裝錯誤可能對人員、產品及車輛造成傷害。
- Note the routing of wires and cables before installation, or please refer to factory manual. 安裝前請事先記下線路的安裝路徑及位置以維持原廠配置。有疑問時請參考原廠手冊。
- Tighten bolts and nuts firmly by using handtools, and with specified torque if mentioned. 安裝過程請使用手動工具確實鎖緊螺帽及螺絲。如有特別註明請依照說明指示的扭力上鎖。

Instructions 安裝說明

- ▼ Install supplied inserts to indicated location of rear subframe.

請根據墊片上標示文字，將墊片安裝至後大樑/副車架標示位置。

