

Installation Guide

安裝說明書

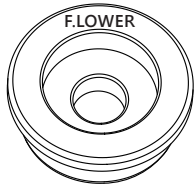
VEHICLE APPLICATIONS
適用車型

NISSAN FAIRLADY Z 5th Z33 2002-2008

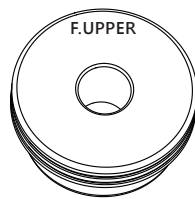
PART NO. 8717

Contents 內含配件

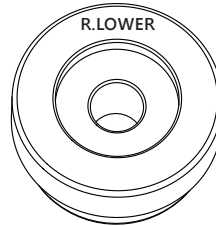
※ Please apply hand tools for installation
安裝過程請使用手動工具



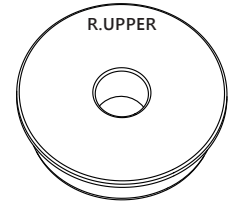
2PCS



2PCS



2PCS



2PCS

Installation tips 安裝提示



F.Upper



F.Lower



(OE墊片)



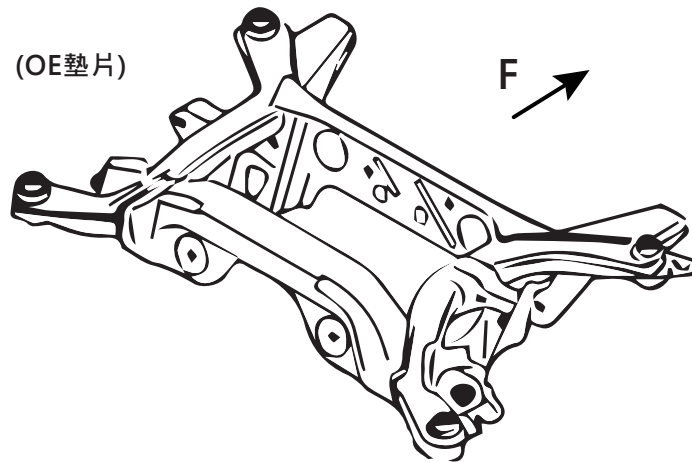
R.Upper



R.Lower



(OE墊片)



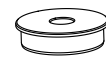
F.Upper



F.Lower



(OE墊片)



R.Upper



R.Lower



(OE墊片)

Warning 安全提示

Installation should only be performed by licensed mechanics who have the necessary skill and tools to do the job correctly and safely.

安裝需由合格的專業技師及工具執行，以確保安裝過程的正確與安全

When swapping the suspension kits, be sure to note the routing and mounting position of all wires, cables and bolts orientation, certain damage might be caused by reinstalling differently from the original factory position. Please refer to factory manual for proper installation and safety stands.

當更換您車輛的懸吊套件時，請記下您的線組與管線安裝位置，非原廠相同的安裝位置可能會造成元件之損壞，造成車輛的危險。請參考原廠車輛手冊