

Installation Guide

安裝說明書

VEHICLE APPLICATIONS
適用車型

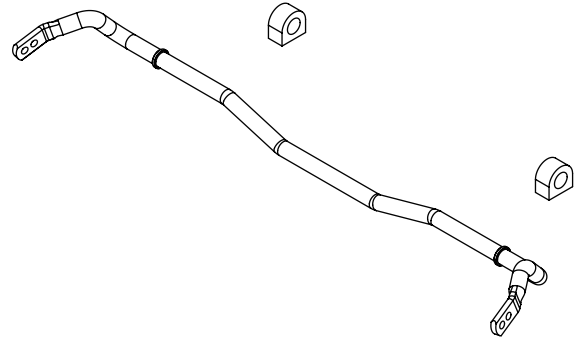
SCION FR-S 1st ZN6
SUBARU BRZ 1st ZC 6
TOYOTA 86 FT86/FR-S ZN6/ZC6

PART NO. 7518

Contents 內含配件

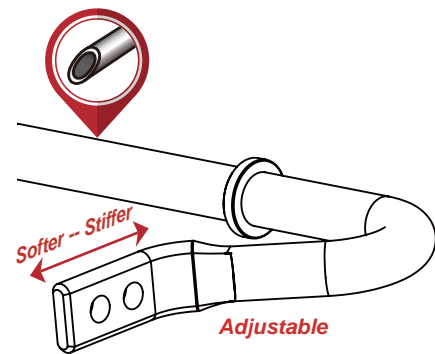
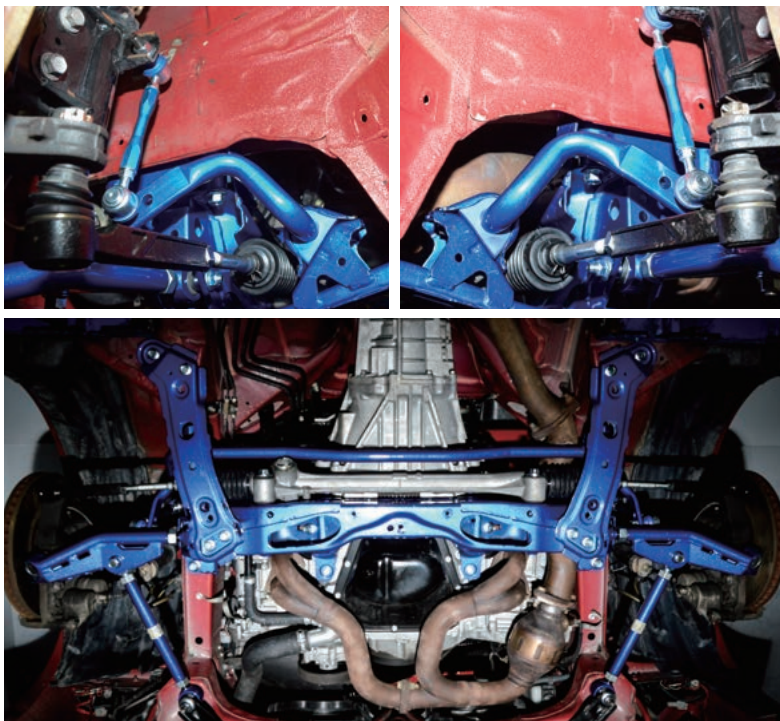
※ Please apply hand tools for installation
安裝過程請使用手動工具

1. Front Sway Bar 前防傾桿 25.4mm(OE原廠:18mm) 1PCS
2. Bushing 平衡桿橡皮 2PCS



Installation tips 安裝提示

- ※ Please read the Hardrace Tech Tips before installing the products.
在安裝之前請詳閱Hardrace 技術提示
- ※ Removal of the front stabilizer reinforcement plates is suggested before installing HARDRACE front sway bar.
安裝HardRace前防傾桿之前，建議先拆卸前工字樑直樑



Suggestive Value 建議值 Nm

Nut of the clamps (Left/Right) 歐姆環螺帽鎖緊扭力	M8	40Nm
	M10	60Nm
Nut of the stabilizer links (Left/Right) 李仔串螺帽鎖緊扭力	M10	60Nm
	M12	80Nm

HARDRACE Tech Tips 技術提示

Warning! Risk of Death may be caused by vehicle slipping or toppling off the jacking platform.

警告! 在頂車機的作業下，車輛的滑動或倒塌可能會造成人員致命的危險

Motor vehicle mechanical knowledge is expected. In some country & states, fitment may only be legally performed by a licensed mechanic. Check the regulation in your area.

請預先了解車輛機械知識與檢察在您所屬的國家或區域地方是否需要專業技師執照才可執行更換安裝，以免觸法

When swapping the suspension kits, be sure to note the routing and mounting position of all wires, cables and bolts orientation, certain damage might be caused by reinstalling differently from the original factory position. Please refer to factory manual for proper installation and safety stands.

當更換您車輛的懸吊套件時，請記下您的線組與管線安裝位置，非原廠相同的安裝位置可能會造成元件之損壞，造成車輛的危險。請參考原廠車輛手冊



TEL: +886 3 5370822 FAX: +886 3 5373027
E-MAIL: info@hardrace.com WEBSITE: WWW.HARDRACE.COM

