

Installation Guide

安裝說明書

VEHICLE APPLICATIONS
適用車型

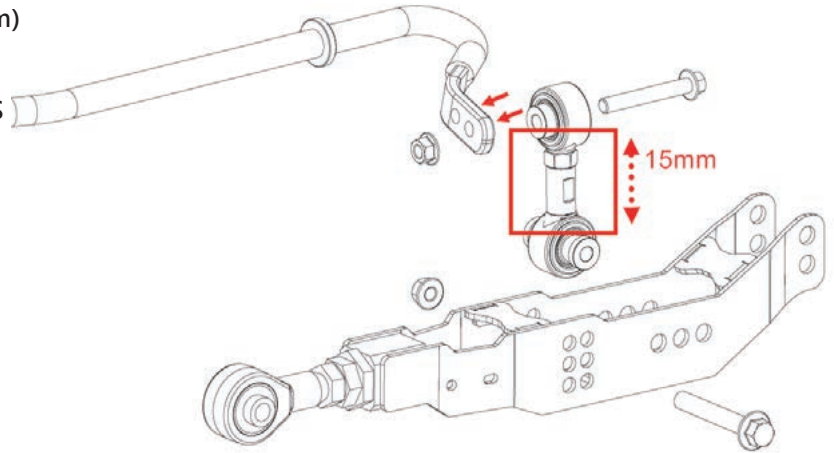
SUBARU IMPREZA 3rd WRX GE/GH/GR/GV 2007-2011
SUBARU IMPREZA 3rd STI GE/GH/GR/GV 2007-2011
SUBARU LEGACY 5th BM/BR 2009-2013
SUBARU BRZ 1st ZC 6
TOYOTA 86 FT86/FR-S ZN6/ZC6

PART NO. 8625

Contents 內含配件

※ Please apply hand tools for installation
安裝過程請使用手動工具

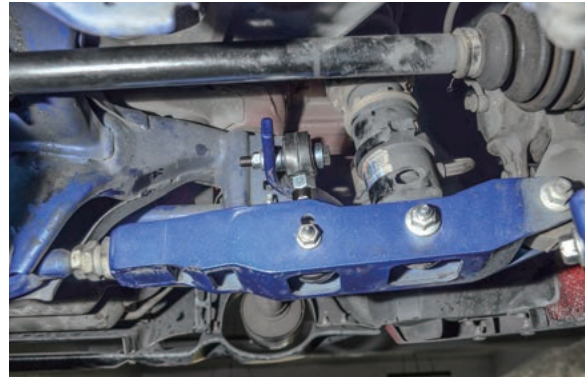
1. Adjustable Stab. Link (Adjustment range 15mm)
可調李仔串(調整範圍15mm) 2PCS
2. Hex Bolt 外六角螺絲17mm (M10x1.25x70) 2PCS
3. Flanged lock nut 螺帽 14mm (M10x1.25) 2PCS



Installation tips 安裝提示



The hex bolts are used to connect the rear sway bar and stabilizer links.
配件內螺絲為李仔串連接防傾桿使用



Torque of M10 bolt is 70Nm
螺絲M10鎖緊扭力為70Nm

Warning 安全提示

Installation should only be performed by licensed mechanics who have the necessary skill and tools to do the job correctly and safely.

安裝需由合格的專業技師及工具執行，以確保安裝過程的正確與安全

When swapping the suspension kits, be sure to note the routing and mounting position of all wires, cables and bolts orientation, certain damage might be caused by reinstalling differently from the original factory position. Please refer to factory manual for proper installation and safety stands.

當更換您車輛的懸吊套件時，請記下您的線組與管線安裝位置，非原廠相同的安裝位置可能會造成元件之損壞，造成車輛的危險。請參考原廠車輛手冊



TEL: +886 3 5370822 FAX: +886 3 5373027
E-MAIL: info@hardrace.com WEBSITE: WWW.HARDRACE.COM

